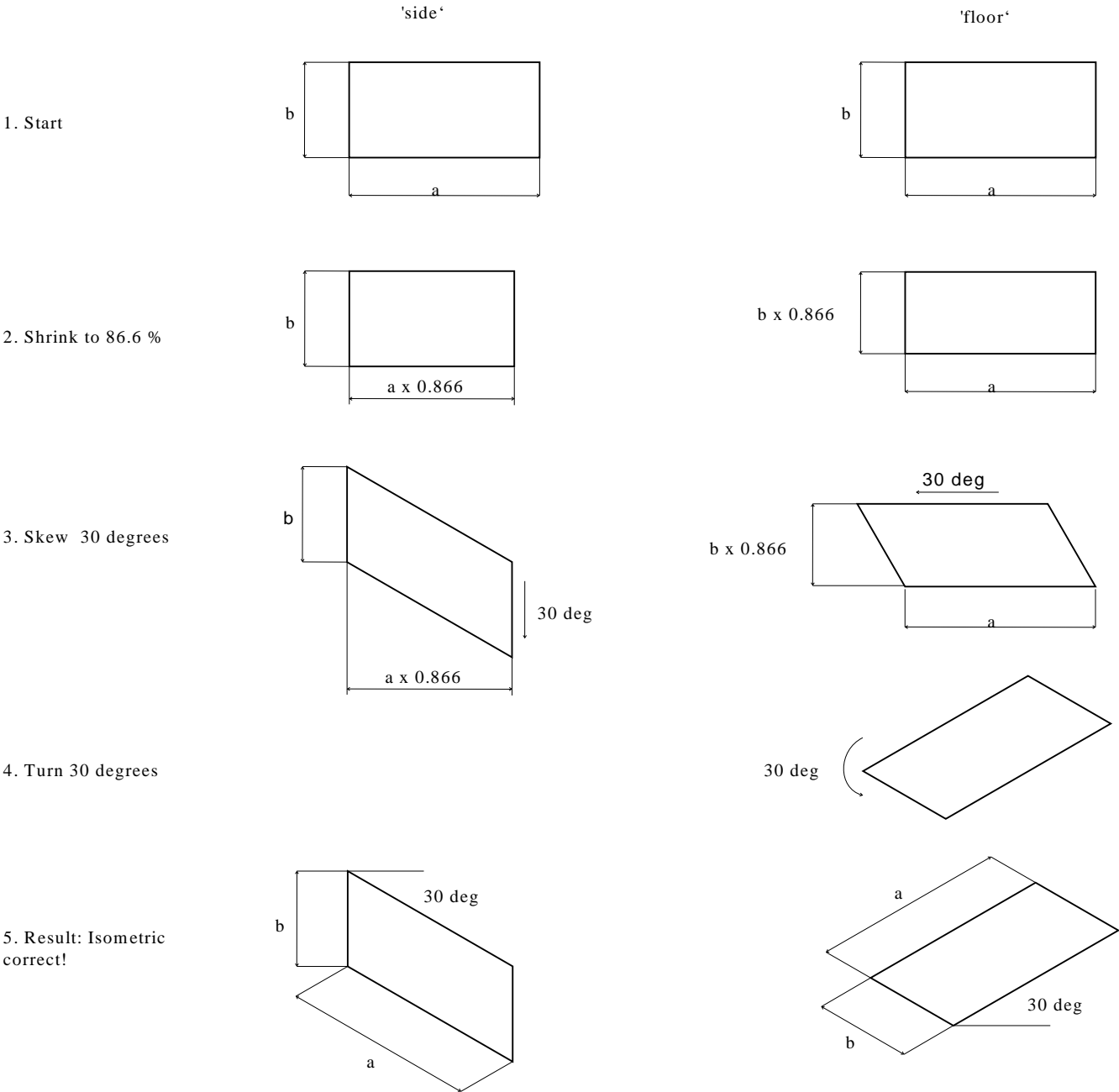


# Isometric drawing

By Mats Björkelund



The parts are filled with white with black contour lines, 0.1 mm. Hidden lines should be removed.

